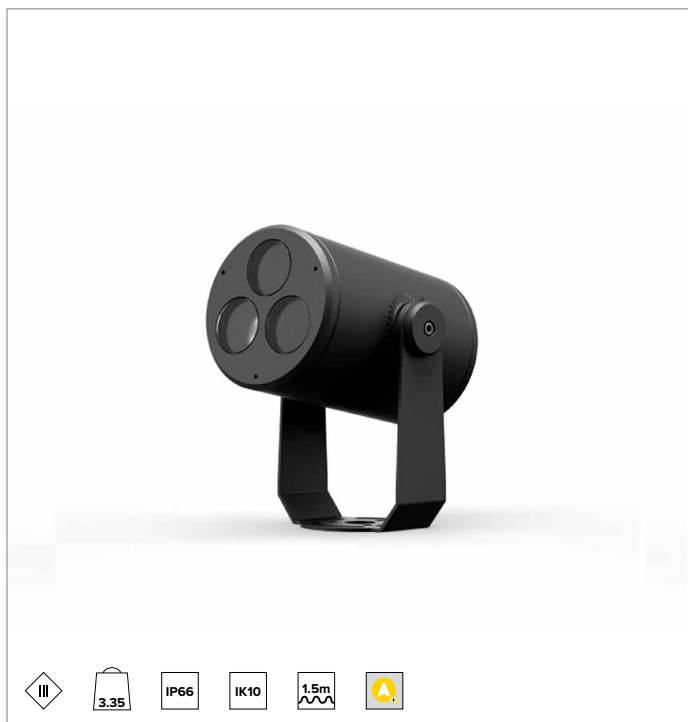
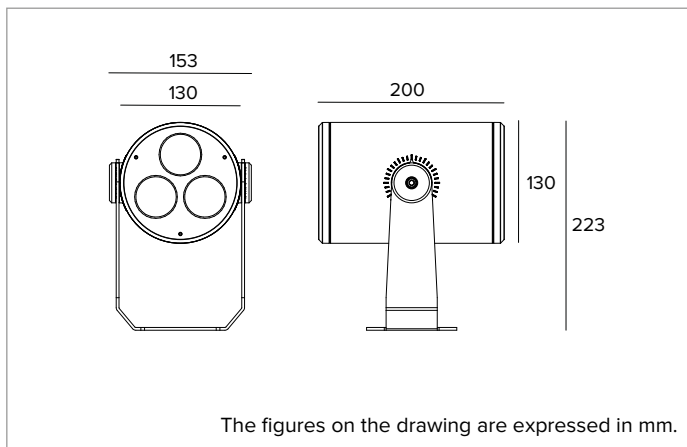


## 1E4041 | DART Round Medium TW

### Professional adjustable LED projector



The fixture's photometric values can be found on the following pages



#### SOURCE

Tunable White light module made of high power and high efficiency Ra80 LED sources. Color temperature adjustment range between 2700K and 5000K.

**Energy efficiency class:** F

**Nominal power:** 11,9W

**Nominal flux:** See photometries

**Colour rendering index:** 80

**Rf:** 83

**Rg:** 97

**CCT nominal:** See photometries

**Lifetime (L80/B10):** >50000h tq +25°C

#### ILLUMINOTECHNICAL CHARACTERISTICS

Equipped with precision methacrylate lenses and spreader filter.

**Optic:** LENS

**Beam angles:** FL

**Optical efficiency:** 59%

**Fixture flux:** See photometries

**Luminous efficacy:** See photometries

**Photobiological safety:** Compliant with RG1 low risk group

#### MECHANICAL CHARACTERISTICS

Painted die-cast anodised aluminium body and painted stainless steel mounting bracket. Tempered extra clear front glass.

**Colour and finish:** Ferrite

**Weight:** 3.35Kg

**Degree of protection:** IP66

**Mechanical Resistance:** IK10

#### ELECTRICAL CHARACTERISTICS

Remote electronic driver with DALI DT8 interface. The driver is housed inside an IP68 box and allows to control from 1 to 3 fixtures. All versions are pre-wired with a 1.5m long feeding cable H07RN-F (to be connected to the IP68 driver box).

**Fixture Power:** 12W

**Power supply:** 700mA

**Insulation Class:** CLASS 3

**Driver included:** NO

**Ambient temperature:** -25°C / +35°C

#### INSTALLATION

Mounting bracket with aiming adjustability. Adjustable up to  $\pm 45^\circ$  on the horizontal plane and  $+90^\circ/-45^\circ$  on the vertical plane.

#### NOTES

Casambi control system available using a dedicated accessory (only for DALI version products). Uses the "Waterblock Smart" technical solution that involves resin coating the connection cables, limiting the risk of humidity reaching the driver or the fixture. It is possible to subject the product to Cataphoresis treatment on request. 110-277Vac version available on request. Values related to the power consumption of the fixture do not take into account the consumption of the accessory driver, which depends on the choice of driver. Commissioning of the control system via free APP; the intervention of a specialist technician can be quoted on request.

#### WARRANTY

5 years.

#### WARNING

Luminaire designed for disposal/recycling at end-of-life. Replaceable (LED only) light source by a professional.

*Due to the technological evolution of the electronic components, the data provided may be updated, and as such, confirmation must be requested during the order process.*

*Luminous flux and power supply have +/-10% tolerances with respect to the indicated value. tq +25°C (CIE 121).*

*We reserve the right to make technical changes.*

Targetti Sankey S.r.l.  
Via Pratese, 164  
50145 Firenze - Italy  
Tel: +39 055 37911  
targetti.com  
targetti@targetti.com

CCIAA Firenze  
Share Capital:  
€ 500.000,00  
VAT N. (IT):  
01537660480  
R.E.A: FI-275656

**TARGETTI**

### 1E4041 | DART Round Medium TW Professional adjustable LED projector



5000K		H(m)	D(m)	Emax(lx)		
Ra80			29°			
Fixture Power	12W	1	0.52	2969		
Source Flux	1608lm	2	1.04	742		
Fixture Flux	948lm	3	1.57	330		
Efficacy	80lm/W	4	2.09	186		
TS1678	I <sub>max</sub> =1846cd/klm	I <sub>max</sub>	2969cd	5	2.61	119



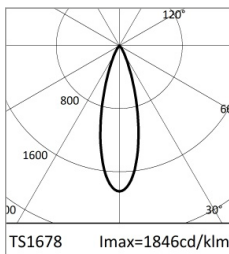
3850K		H(m)	D(m)	Emax(lx)		
Ra80			29°			
Fixture Power	12W	1	0.52	3030		
Source Flux	1641lm	2	1.04	757		
Fixture Flux	967lm	3	1.57	337		
Efficacy	81lm/W	4	2.09	189		
TS1678	I <sub>max</sub> =1846cd/klm	I <sub>max</sub>	3030cd	5	2.61	121

**CW**

CCT nominal	5000K
Nominal flux	1608lm
Fixture flux	948lm
Luminous efficacy	80lm/W

**NW**

CCT nominal	3850K
Nominal flux	1641lm
Fixture flux	967lm
Luminous efficacy	81lm/W



2700K		H(m)	D(m)	Emax(lx)		
Ra80			29°			
Fixture Power	12W	1	0.52	2553		
Source Flux	1383lm	2	1.04	638		
Fixture Flux	815lm	3	1.57	284		
Efficacy	69lm/W	4	2.09	160		
TS1678	I <sub>max</sub> =1846cd/klm	I <sub>max</sub>	2553cd	5	2.61	102

**WW**

CCT nominal	2700K
Nominal flux	1383lm
Fixture flux	815lm
Luminous efficacy	69lm/W

Due to the technological evolution of the electronic components, the data provided may be updated, and as such, confirmation must be requested during the order process. Luminous flux and power supply have +/-10% tolerances with respect to the indicated value. tq +25°C (CIE 121).

We reserve the right to make technical changes.

Targetti Sankey S.r.l.  
Via Pratese, 164  
50145 Firenze - Italy  
Tel: +39 055 37911  
targetti.com  
targetti@targetti.com

CCIAA Firenze  
Share Capital:  
€ 500.000,00  
VAT N. (IT):  
01537660480  
R.E.A.: FI-275656



# 1E4041 | DART Round Medium TW

## Professional adjustable LED projector

### Related codes

#### Power Supply

Code
<b>1E4056</b>

Tunable White DALI driver - 700mA.  
50W, LxHxP=220x80x120mm, 110-277Vac.  
IP68 gray powder coated aluminum box.

### Accessories

#### Filter



Colour	Code
	<b>1E4263</b>

Blade of light filter.  
PMMA holographic filter for a blade of light effect.  
Completed with powder coated aluminum alloy holder ring.

#### Screen



Colour	Code
	<b>1E4007</b>

Asymmetric screen.  
Powder coated stainless steel.



Colour	Code
	<b>1E4008</b>

Cylindrical screen.  
Powder coated stainless steel.  
Short version.



Colour	Code
	<b>1E4058</b>

Cylindrical screen.  
Powder coated stainless steel.  
Long version.

#### Mounting System



Colour	Code
	<b>1E3026</b>

Plate for fixture rotation.  
Powder coated stainless steel.



Dimensions ØxH mm	Colour	Code
96x182		<b>1E3028</b>

Earthspike.  
Powder coated stainless steel.

*Due to the technological evolution of the electronic components, the data provided may be updated, and as such, confirmation must be requested during the order process.*  
*Luminous flux and power supply have +/-10% tolerances with respect to the indicated value. tq +25°C (CIE 121).*

We reserve the right to make technical changes.

Targetti Sankey S.r.l.  
Via Pratese, 164  
50145 Firenze - Italy  
Tel: +39 055 37911  
targetti.com  
targetti@targetti.com

CCIAA Firenze  
Share Capital:  
€ 500.000,00  
VAT N. (IT):  
01537660480  
R.E.A.: FI-275656

**TARGETTI**

## 1E4041 | DART Round Medium TW

### Professional adjustable LED projector

#### Mounting System



Colour Code

● 1E2825

Pole bracket.  
Anodised and powder coated aluminium.  
Pole Ø 60mm (+/-2mm).



Colour Code

● 1E3027

Pole multiple mounting system.  
Powder coated stainless steel.  
To be completed with 1E2825.  
Max 4 projectors.

#### Connector



Code

1E2769

Linear connection box IP66/IP68.  
5 poles max. wire section 1.5mm<sup>2</sup>.  
Cable diameter range from 7 to 12mm.



Code

1E2494

Multiple connection box IP68.  
1 IN - 3 OUT 4 poles max. wire section 2.5mm<sup>2</sup>.  
Cable diameter range from 6 to 12mm.

#### Control systems



Code

1E3048

IP67 wireless control unit with DALI interface.  
It generates a local DALI2 bus, enabling a direct connection to a DALI interface LED driver.  
The module can only be used in a closed system and cannot be connected to an existing DALI network.  
The module is wireless controlled using a Casambi app for smartphones and tablets using Bluetooth 5.0 technology.  
The devices automatically create an adaptive, robust, and reliable wireless mesh network, allowing for the easy and efficient management of a high number of fixtures. The control unit is preset to the DALI 1CH profile, meaning the device can control a single DALI driver with broadcast commands.  
In addition to the DALI broadcast, other operating modes are available, such as:

- Button (normally open)
- Control unit 0/1-10V
- Control unit DALI Tunable White DT8
- Presence sensor



Code

1E4369

IP67 Extender for wireless control of LED driver with dimming DALI interface based on Casambi technology.  
It has a DALI2 output with the capacity to control up to 40 lighting fixtures.  
With the addition of a further external BUS DALI power supply it is possible to control up to 64 fixtures.  
IP67 Extender is preset to the DALI broadcast profile, meaning all the luminaires connected to it are dimmable at the same level.  
In addition to the DALI broadcast other operating modes are available, such as:

- EXTENDER DALI 8CH
- EXTENDER DALI Tunable White
- EXTENDER DALI 4CH
- EXTENDER DALI DT8 Tunable White

Due to the technological evolution of the electronic components, the data provided may be updated, and as such, confirmation must be requested during the order process.  
Luminous flux and power supply have +/-10% tolerances with respect to the indicated value. tq +25°C (CIE 121).

We reserve the right to make technical changes.

Targetti Sankey S.r.l.  
Via Pratese, 164  
50145 Firenze - Italy  
Tel: +39 055 37911  
targetti.com  
targetti@targetti.com

CCIAA Firenze  
Share Capital:  
€ 500.000,00  
VAT N. (IT):  
01537660480  
R.E.A.: FI-275656

**TARGETTI**